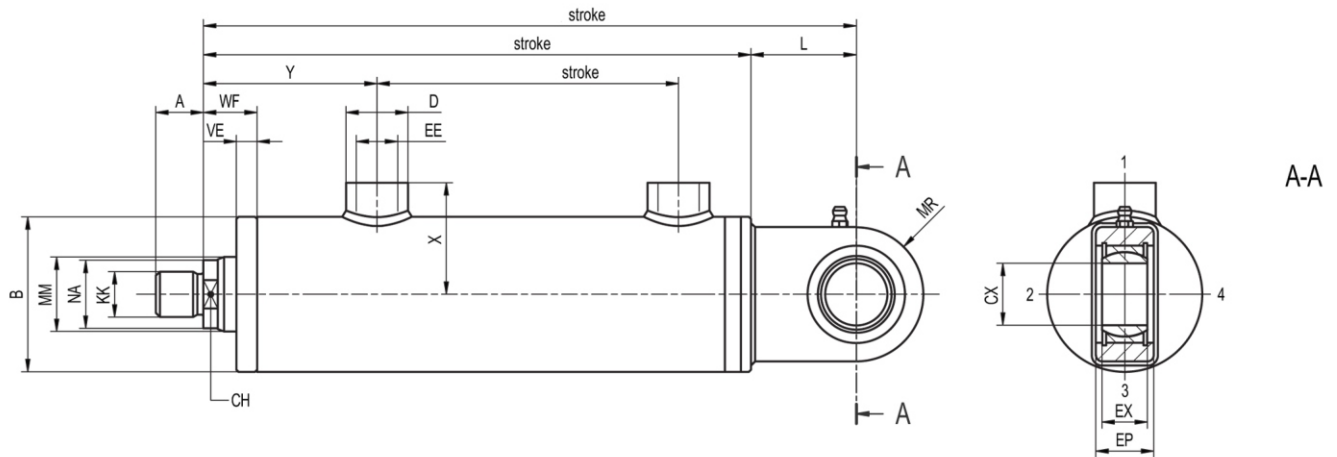


MD18 MA

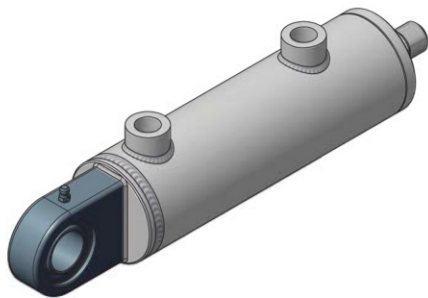
double acting hydraulic cylinders



All dimensions are in millimetres.

Piston Ø	MM Ø	A	B Ø	CH	X	D Ø	EE	KK	NA Ø	WF	VE	Y	PJ	ZJ
25	14	17	35	12	32	20	G 1/4	M 12x1.25	13	17	8	43	18*	78*
32	20	19	42	15	36	20	G 1/4	M 14x1.5	17	20	10	61	38*	129*
40	22/ 28	16	50	17	41	26	G 3/8	M 16x1.5	20	25	10	69	42	137
50	28/ 36	16	60	22	46	26	G 3/8	M 16x1.5	25	25	10	75	45	150
63	36/ 45	23	75	30	56	30	G 1/2	M 22x1.5	34	26	10	87	48	165
70	40/ 45	23	85	30	60	30	G 1/2	M 22x1.5	34	26	10	83	56	165
80	45/ 56	35	95	36	66	30	G 1/2	M 35x1.5	40	27	10	97	53	193
90	40/ 50	35	105	36	70	30	G 1/2	M 35x1.5	38	27	10	93	66	193
100	56/ 63/ 70	45	115	46	78	38	G 3/4	M 45x1.5	50	27	10	112	62	214
110	63/ 70	45	130	46	86	38	G 3/4	M 45x1.5	50	27	10	107	72	214
125	70/ 90	58	145	60	93	38	G 3/4	M 58x1.5	65	32	12	128	63	240
140	80/100	65	165	65	104	45	G 1	M 65x1.5	75	32	12	142	75	270
160	90/110	80	190	80	119	45	G 1	M 80x2	85	40	15	155	75	295
180	110/125	80	220	80	134	45	G 1	M 80x2	90	50	20	170	75	320
200	125/140	110	245	110	144	45	G 1	M 110x2	120	50	20	190	75	340
250	140/160	125	300	120	175	45	G 1	M 120x3	130	58	20	198	107	390

*At stroke up to 10 mm PJ and ZJ are extend for 10 mm.



Piston Ø	XO	L	CX Ø	EX	EP	MR
25	94	16	12	12	10	16
32	149	20	16	16	14	20
40	175	38	20	16	19	25
50	195	45	25	20	23	27.5
63	216	51	30	22	28	32.5
70	216	51	30	22	28	32.5
80	262	69	40	28	35	50
90	262	69	40	28	35	50
100	302	88	50	35	40	61.5
110	302	88	50	35	40	61.5
125	340	100	60	44	50	70
140	385	115	70	49	55	82
160	436	141	80	55	60	90
180	461	141	80	55	60	90
200	510	170	100	70	70	125
250	575	185	110	70	80	147.5